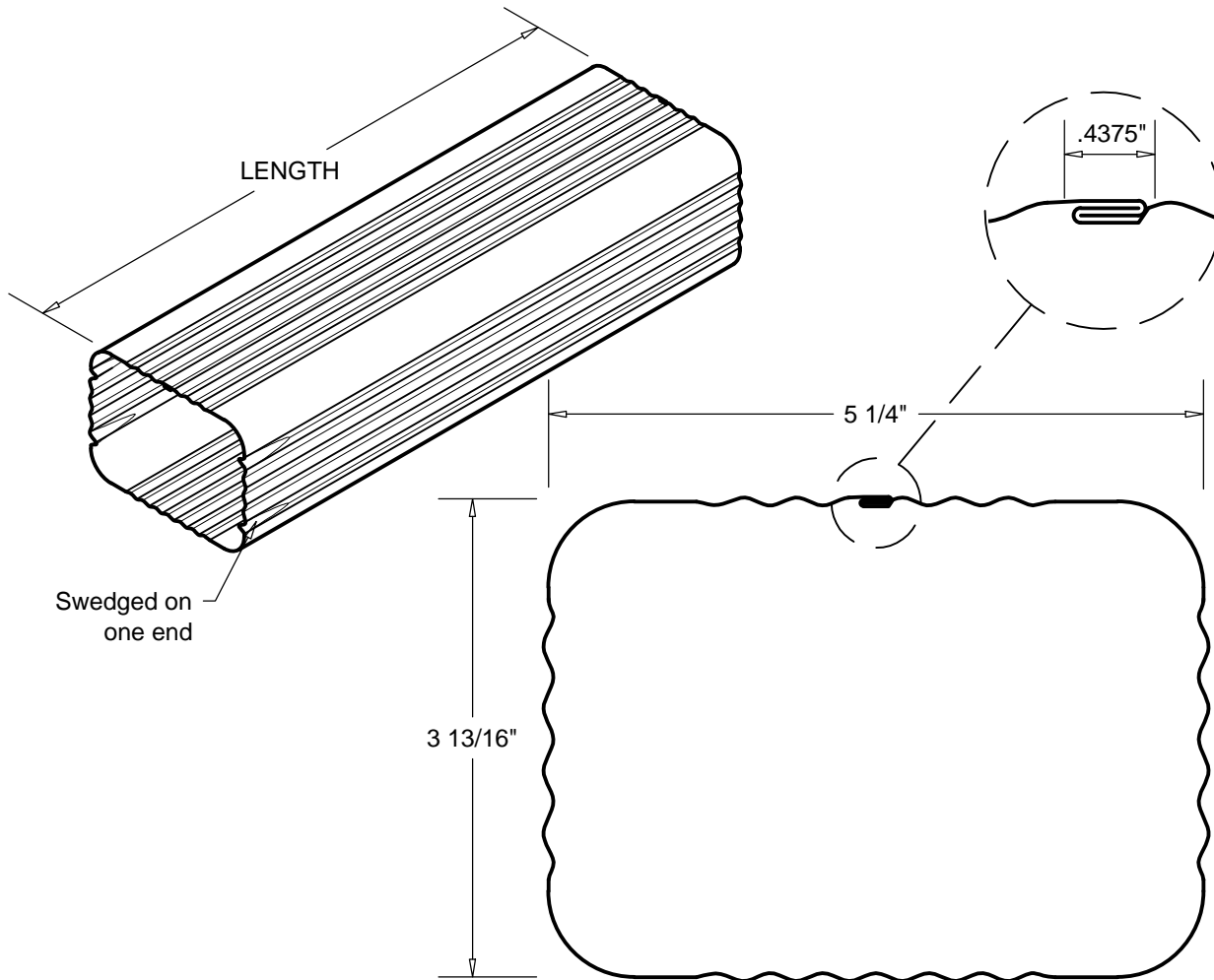


4" X 5" CORRUGATED DOWNSPOUT



PRINT APPROVED BY:

(SIGNATURE)

(DATE)

A SIGNED PRINT APPROVAL SIGNIFIES A CUSTOMER HAS VERIFIED ALL DIMENSIONS, SIZES, QUANTITIES, AND MATERIAL TYPES.

FABRICATION WILL PROCEED ONLY AFTER RECEIPT OF SIGNED PRINT APPROVAL

MATERIAL:

24 GA GALV. STEEL
26 GA GALV. STEEL

.032" ALUMINUM

COLOR: _____

QUANTITIES:

<u>PCS</u>	<u>LENGTH</u>	<u>PCS</u>	<u>LENGTH</u>
_____	_____	_____	_____
_____	_____	_____	_____
_____	_____	_____	_____
_____	_____	_____	_____

Elbows: A: _____ B: _____
Downspout Straps: _____

PROJECT INFORMATION:

(PROJECT NAME)

(ARCHITECT)

(CUSTOMER)

(REPRESENTATIVE/DISTRIBUTOR)

DATE: _____

SHEET _____ OF _____



JACKSON ARCHITECTURAL METAL FABRICATORS, LLC
1421 S. Cooper Street
Jackson, MI 49201
(517) 782-8884 (517) 782-8906-fax -info@jacksonamf.com