

JAMF ULTRA RIB PANEL



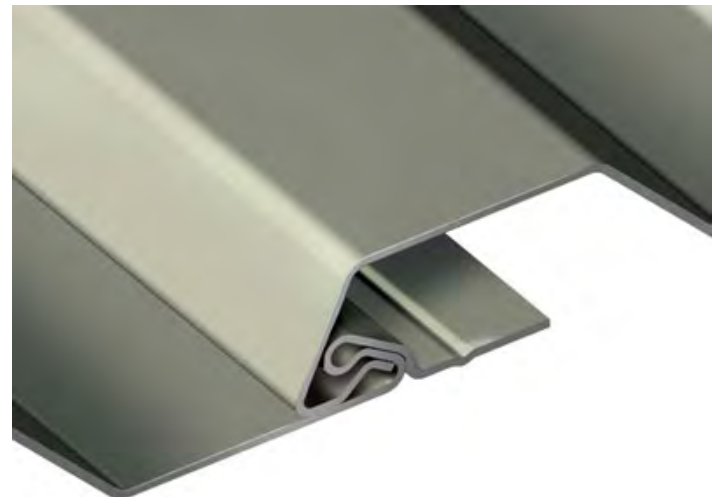
Jackson Architectural Metal Fabricators offers a full line of commercial/industrial wall panels, available in a wide range of colors all in a Kynar 500® paint finish that meet specific aesthetic and corrosion resistance requirements. Architects and builders can choose from a variety of economical and durable wall panel systems, suitable for use in pre-engineered metal building applications, agricultural structures, commercial buildings and industrial buildings.

JAMF Ultra Rib Panel

The **JAMF Ultra Rib Panel** is a multi-purpose metal wall panel designed for horizontal and vertical applications. Our Panels come in 16" and 12" coverage and are 7/8" deep, with a fastening leg, and lock, that is concealed. The standard product offering for these metal wall panels are 24 and 22 gauge Galvalume steel. We also offer .032 and .040 Aluminum all with Kynar 500® paint finish. Custom colors are available with a 6,500SF minimum.

Why Use JAMF Ultra Rib Horizontal Wall Panel?

- Hidden Fasteners
- Multi-Purpose Panel
- Extruded Rib Appearance



RATINGS AND CERTIFICATIONS

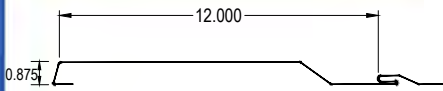
- ASTM E 283-04
- ASTM E 330-02
- ASTM E 331-00
- FBC# FL17024.1 R1

JAMF ULTRA RIB PANEL



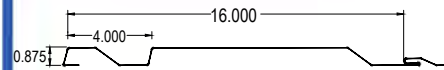
JAMF-URP-12-A Panel

12" Nominal Panel Width



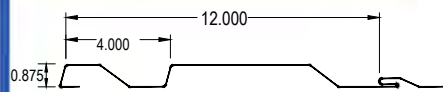
JAMF-URP-16-A Panel

16" Nominal Panel Width



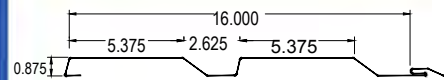
JAMF-URP-12-B Panel

12" Nominal Panel Width



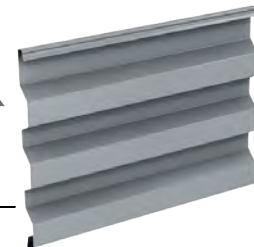
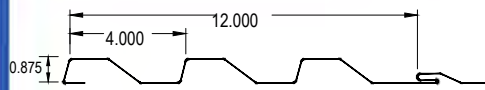
JAMF-URP-16-B Panel

16" Nominal Panel Width



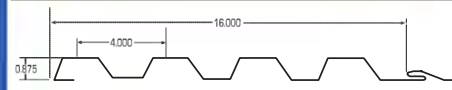
JAMF-URP-12-C Panel

12" Nominal Panel Width



JAMF-URP-16-C Panel

16" Nominal Panel Width



ULTRA RIB PANEL ORDER FORM



DATE: _____

Purchase Order NO. _____

Panel Quantity @ Panel Length	Panel Quantity @ Panel Length	Panel Quantity @ Panel Length
@	@	@
@	@	@
@	@	@
@	@	@
@	@	@
@	@	@
@	@	@
@	@	@
@	@	@
@	@	@
@	@	@
@	@	@
@	@	@
@	@	@
@	@	@

Material:	X
24 ga Galvalume	
22ga Galvalume	
.040 Aluminum	
.032 Aluminum	

Color: _____

Notes:

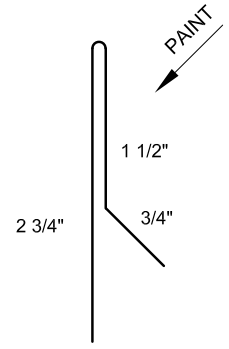
ULTRA PANEL TRIM ORDER FORM A



Date: _____	Page of _____
-------------	---------------

Name: _____		Ship To: _____	
Address: _____		Address: _____	
Customer Signature _____		Order # _____	Salesman: _____
Customer # _____	Job Reference: _____	Customer PO# _____	Contact Person: _____ Phone: _____

Starter Trim



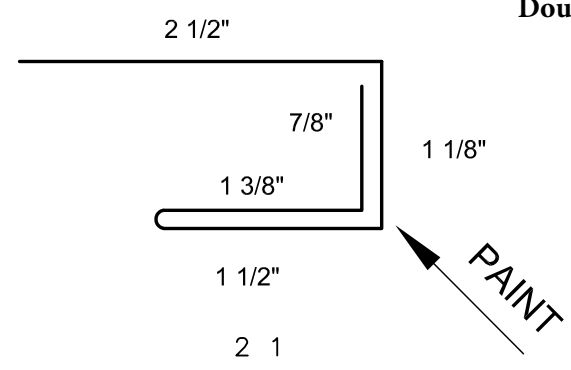
Material _____ Gauge: _____

of Pieces: _____ Str.Width: _____

Length: _____ Embossed: _____

Color: _____ Finish: _____

Double J Channel



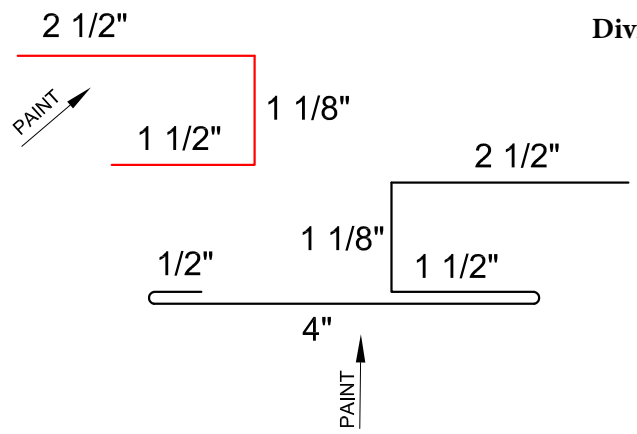
Material _____ Gauge: _____

of Pieces: _____ Str.Width: _____

Length: _____ Embossed: _____

Color: _____ Finish: _____

Divider Trim



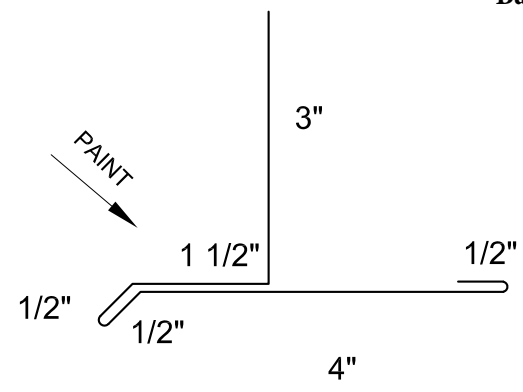
Material _____ Gauge: _____

of Pieces: _____ Str.Width: _____

Length: _____ Embossed: _____

Color: _____ Finish: _____

Base Trim w/Return



Material _____ Gauge: _____

of Pieces: _____ Str.Width: _____

Length: _____ Embossed: _____

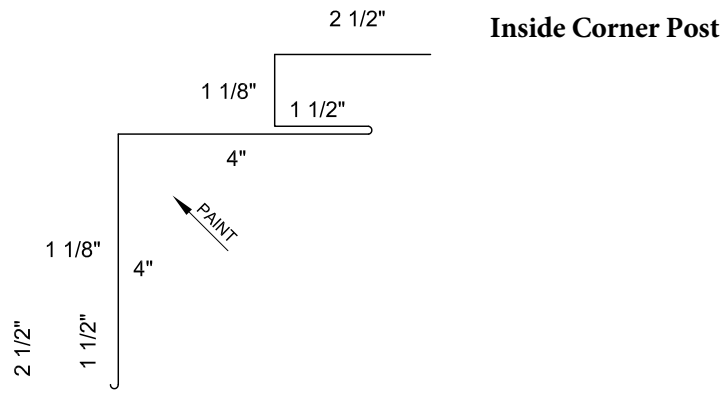
Color: _____ Finish: _____

ULTRA PANEL TRIM ORDER FORM B



Date: _____ Page of _____

Name:		Ship To:	
Address:		Address:	
Customer Signature		Order #	Salesman:
Customer #	Job Reference:	Customer PO#	Contact Person: Phone:

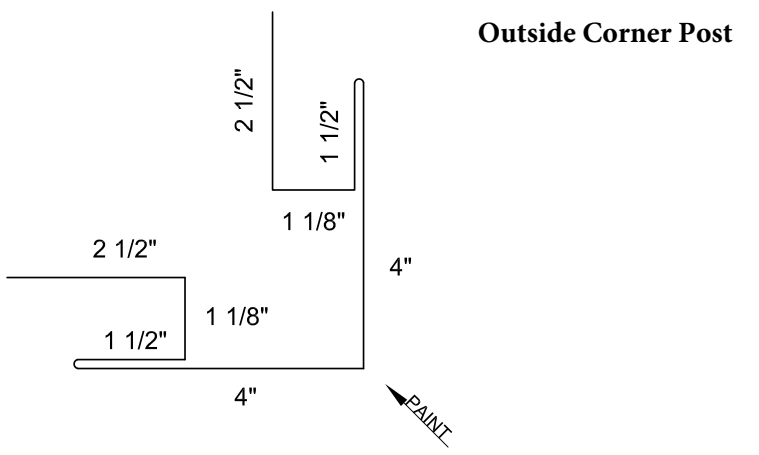


Material _____ Gauge: _____

of Pieces: _____ Str.Width: _____

Length: _____ Embossed: _____

Color: _____ Finish: _____

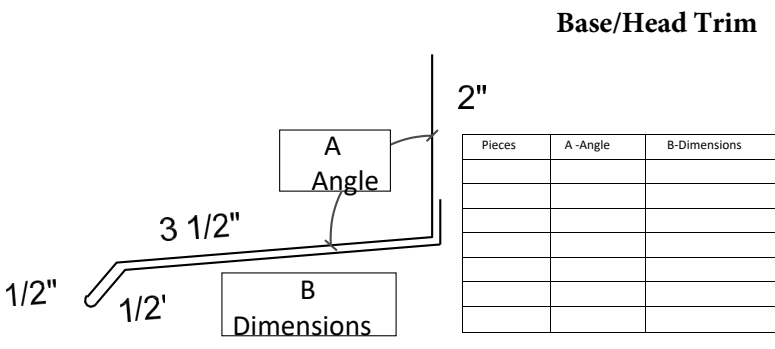


Material _____ Gauge: _____

of Pieces: _____ Str.Width: _____

Length: _____ Embossed: _____

Color: _____ Finish: _____

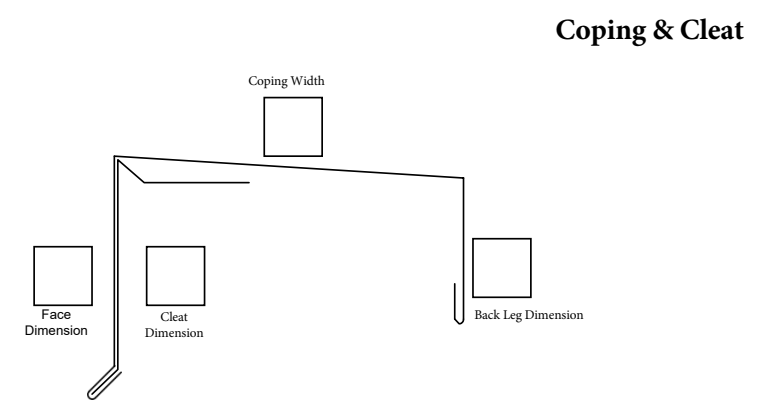


Material _____ Gauge: _____

of Pieces: _____ Str.Width: _____

Length: _____ Embossed: _____

Color: _____ Finish: _____



Material _____ Gauge: _____

of Pieces: _____ Str.Width: _____

Length: _____ Embossed: _____

Color: _____ Finish: _____