

JAMF Continuous Coping Cleat



Overview

JAMF Continuous Coping Cleat system is a two-part assembly that includes a front and rear segmented cleat and a decorative snap-on coping cover for single ply commercial roof systems. Our Continuous Coping Cleat is available as pre-painted Kynar500® in .040, .050 and .063 formed aluminum and 24 and 22 gauge galvalume steel. This product features our patent pending 16-gauge (G90) pre-punched cleat spaced at 12" on center, is available in 10" standard cleat lengths and 10' standard coping cover lengths. Concealed splices plates and fasteners are included with the purchase of this product.

Features and Benefits

- Secures roof Membrane to Parapet Wall
- Allows for the use of high-torque screws without penetrating the top surface of the Membrane
- Pre-Punched Segmented Cleat
- ANSI-SPRI ES-1 Certified
- 210 MPH Lifetime Wind Warranty
- 35-Year Gold Standard Paint Warranty
- Corporate and Custom Colors are available

Installation

For complete installation instructions, please refer to JAMF Architectural specifications and details.

REVIEW CURRENT JAMF ARCHITECTURAL SPECIFICATION AND DETAILS FOR SPECIFIC INSTALLATION REQUIREMENTS.

Quality Assurance

JAMF Continuous Coping Cleat system is tested per ANSI/SPRI Test Method RE-3 bi-directional test for wind requirements for Coping and Wall Caps. The Continuous Coping Cleat shall be certified by Drexel Metals to design pressures as indicated in current edition of SPRI's Wind Resistance Standard for Edge Systems used with Low Slope Roofing System. This products meets International Building Code minimum requirement.

Technical Services

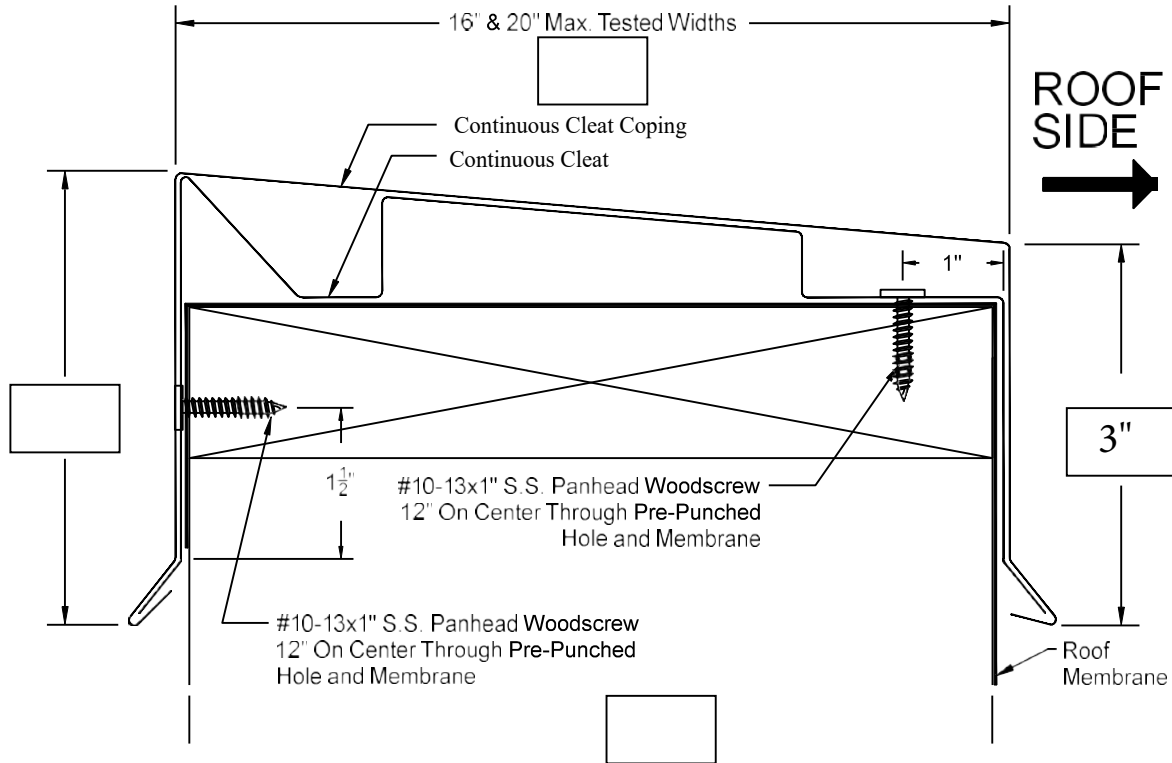
Engineering and shop drawings, as well as long-form specifications and CAD details, are available from JAMF. Product samples, detail sheets, color chips and color charts are also available for submittal packages. For personal assistance with questions or for full submittals, contact JAMF or your local independent sales representative.

Specifications

Material	Wall Width	Sustained Pressures
24 gauge	<16" max	-180 psf (*)
24 gauge	16" to 24" max	-130 psf (*)
0.040 AL	<16" max	-200 psf (*)
0.040 AL	16" to 24" max	-140 psf (*)

* Design Engineer must apply the Factor of Safety

**ADDITIONAL GAUGES - .050 and .063 aluminum and 22 gauge Galvalume are available upon request



- Continuous Cleat and Fasteners Provided
- Concealed Splice Plates Provided
- Continuous Cleat: 22 GA 20 GA

PRINT APPROVAL:

Architect and/or Contractor shall verify all dimensions, sizes and quantities. All Products to be installed in strict accordance with Jackson Architectural Metals printed instructions.

Approved by:

Date:

Project Name/PO#:

Roofing Contractor:

Representative:

QUANTITIES:

Lineal Feet *:

Outside Miters**:

Inside Miters**:

Right End Caps**:

Left End Caps**:

Splice Plate Tape Sealant:

*Optional lengths available up to 20'-0"

** Standard riveted

MATERIAL:

24 GA .040" AL .050" AL

Other

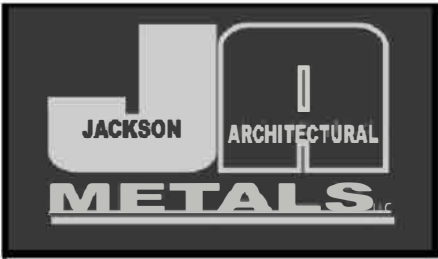
Finish:

Color:

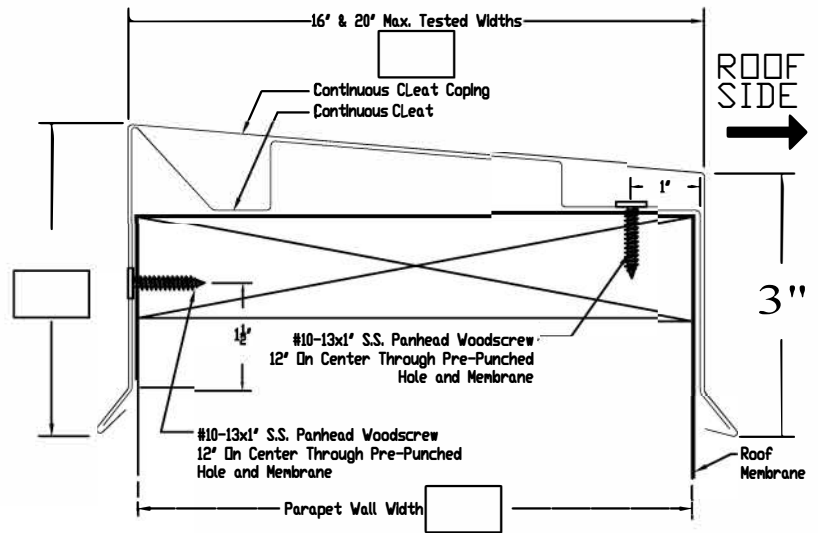
Carlisle

Firestone

Other:

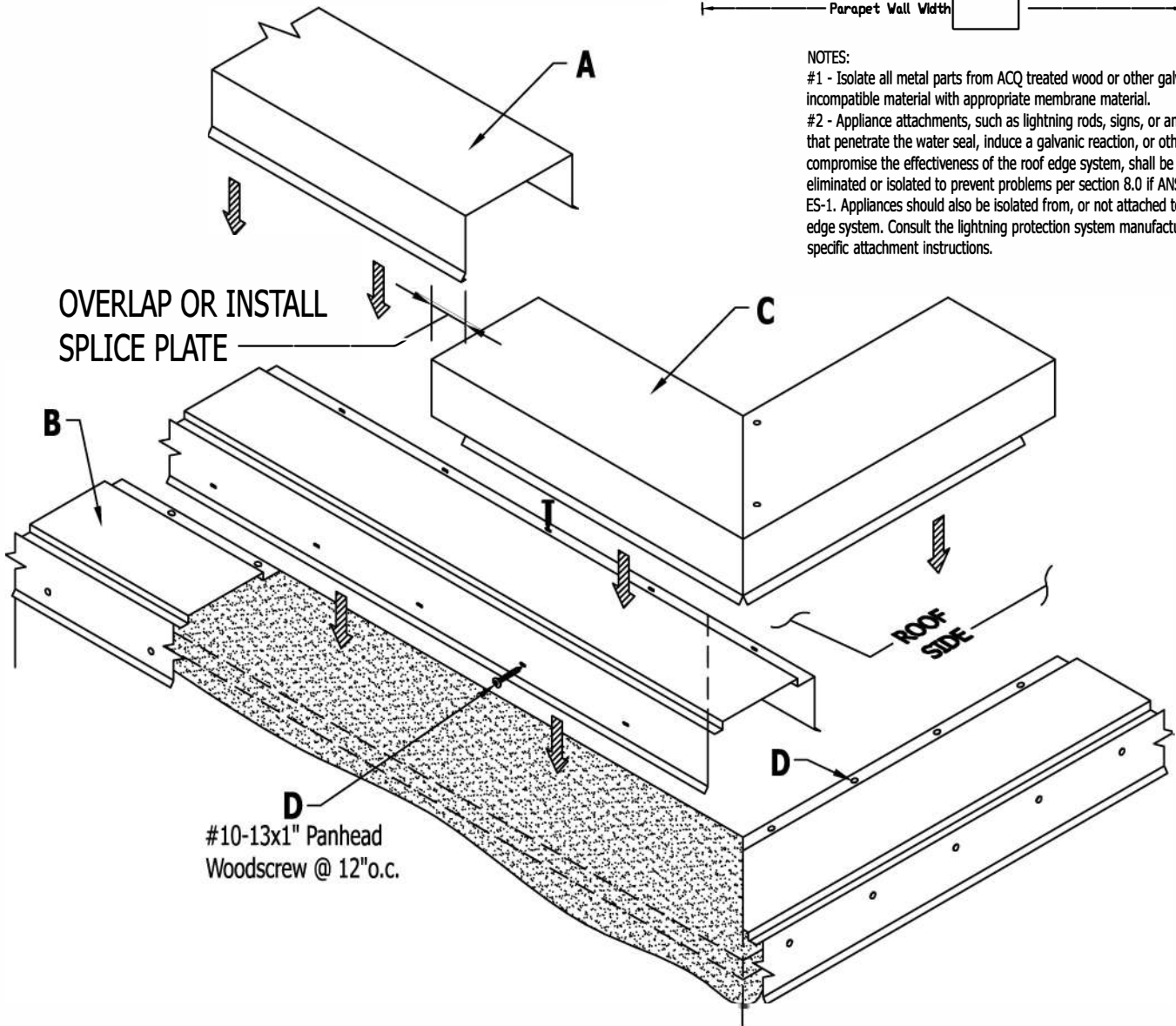


Installation Guide for Continuous Cleat Coping



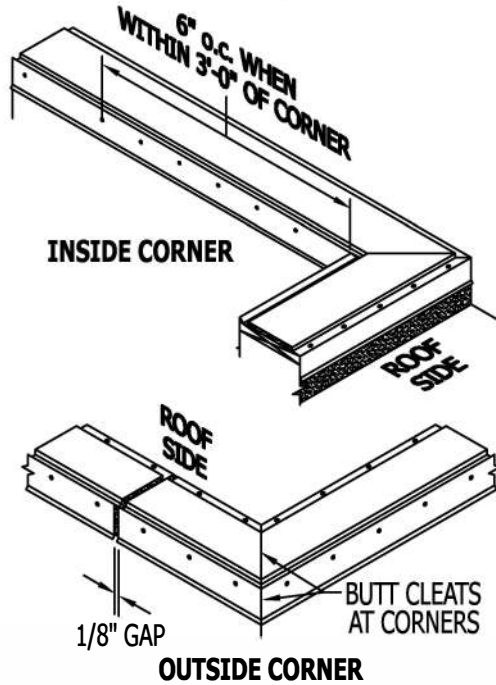
NOTES:

- #1 - Isolate all metal parts from ACQ treated wood or other galvanically incompatible material with appropriate membrane material.
- #2 - Appliance attachments, such as lightning rods, signs, or antennae that penetrate the water seal, induce a galvanic reaction, or otherwise compromise the effectiveness of the roof edge system, shall be eliminated or isolated to prevent problems per section 8.0 if ANSI/SPRI ES-1. Appliances should also be isolated from, or not attached to, the roof edge system. Consult the lightning protection system manufacturer for specific attachment instructions.



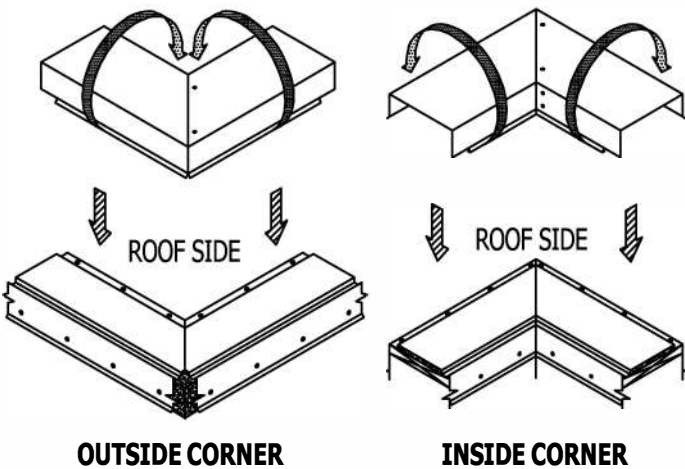
- A Continuous Cleat Coping**
10'-0" Std Lengths (20'-0" Max.)
- B Galvanized Continuous Cleat**
10'-0" Lengths

- C. Coping Miter Cap**
(Outside Corner Shown)
- D. #10-13x1" S.S. Panhead Woodscrew**
at 12" o.c. (6" o.c. within 3'-0" of Corners)
(Included and Required)



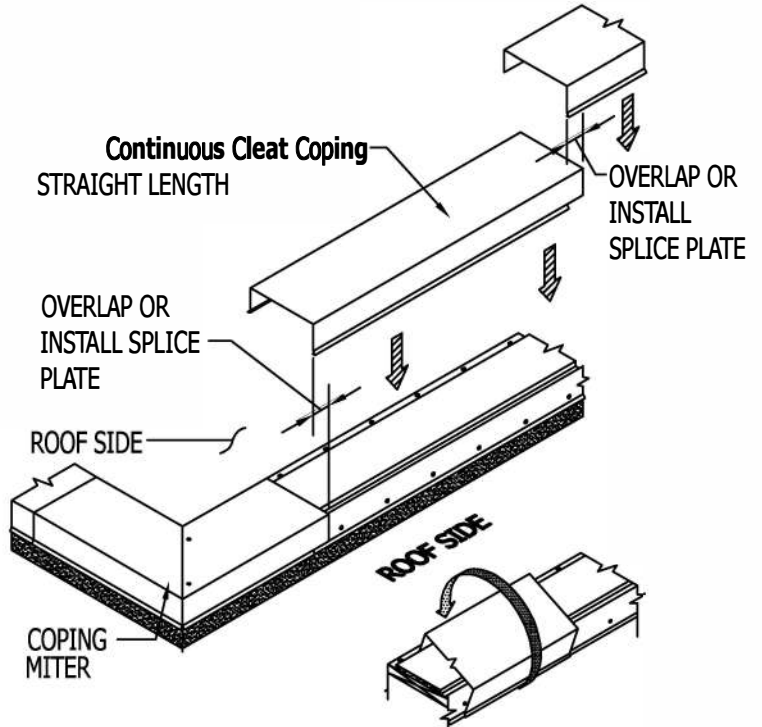
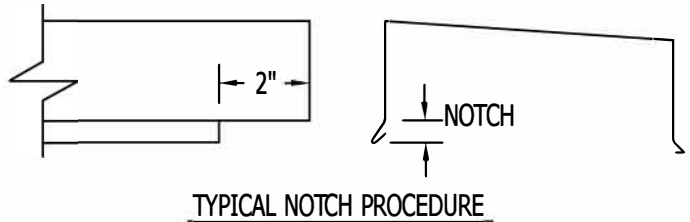
STEP 1: Installing Galvanized Cleat

Prior to installing the cleat, ensure that all metal components have been isolated from ACQ treated lumber with appropriate membrane material. Butt Cleats together at corner conditions. Install Cleat working away from corners. Allow $\frac{1}{8}$ " gap between sections for thermal movement. Attach the Cleat using #10-13x1" S.S. Panhead Woodscrews provided into each pre-punched hole. When within 3'-0" of corners, attach Cleat with screws at 6" on center.



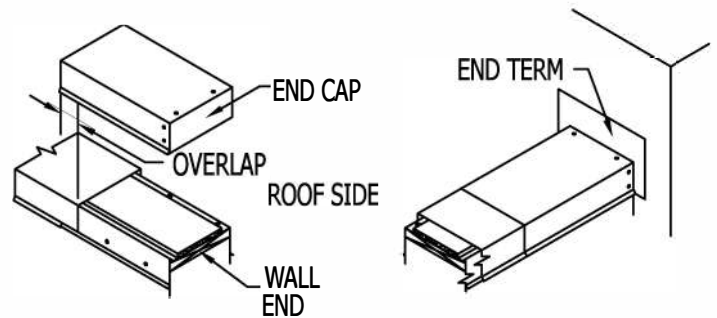
STEP 2: Installing Continuous Cleat Coping Miters

Locate the Miter for the appropriate corner. Notch both sides of the Miter as shown. Hook the drip of the Miter over the kick out of the face side of the Cleat, then rotate the Miter over the top of the parapet and snap onto the roof side of the Cleat.



STEP 3: Installing Continuous Cleat Coping Straight Lengths

Start by notching the end of the Coping opposite of the installed Miter. Install the Coping by hooking the drip over the kick out on the face side of the Cleat and rotating the Coping over the parapet wall and hooking onto the roof side of the Continuous Cleat. Consider lengths of all straight pieces prior to cutting to avoid creating relatively short sections adjacent to one another.



STEP 4: Installing Continuous Coping End Caps/Terms

Pop-riquet the End Cap and End Term inserts into place. Install End Caps and End Terms by hooking the drip over the kick out on the Cleat and rotating over the part over the parapet. End Caps and End Terms must be restrained from moving by securing with a minimum of (2) #10-13x1" S.S. Panhead Woodscrews through the roof side leg.