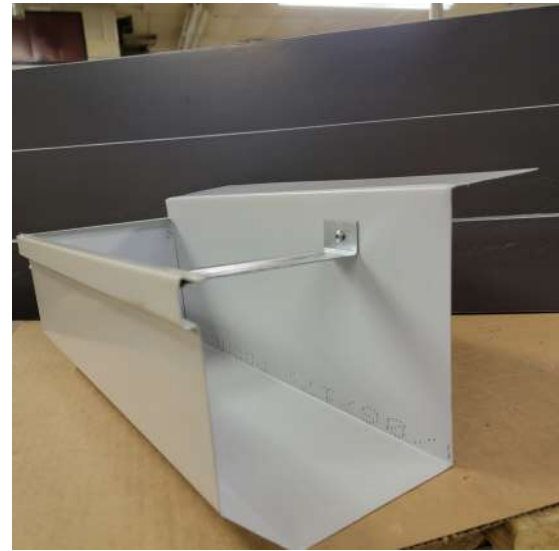
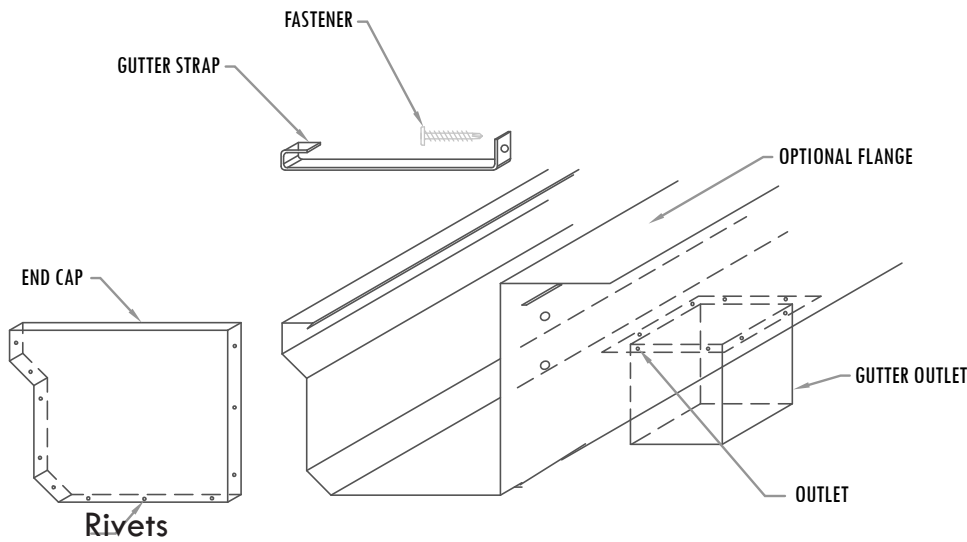


7" Box Gutter & 4"x5" Downspout

(517)782-8884 - info@jacksonamf.com



GUTTER & DOWNSPOUT AVAILABLE IN 40+ FT LENGTHS

JAMF's 7" Box Gutter is offered with an optional 4" flange. Seamless lengths up to 40' are available. Made in 24 and 26ga Steel, .032 and .040 Aluminum. JAMF has a full line of accessories including gutter straps, custom fabricated mitered corners, end caps, splice plates, expansion joints and outlets.

Onsite roll forming is available for longer lengths.

JAMF roll forms Commercial grade 4"x5" Corrugated Downspout. Available in 24 and 26ga Steel and .032 Aluminum in a variety of colors. Seamless lengths up to 40' are available. We also offer A and B elbows and straps.

Gutter is also available without a 4" flange

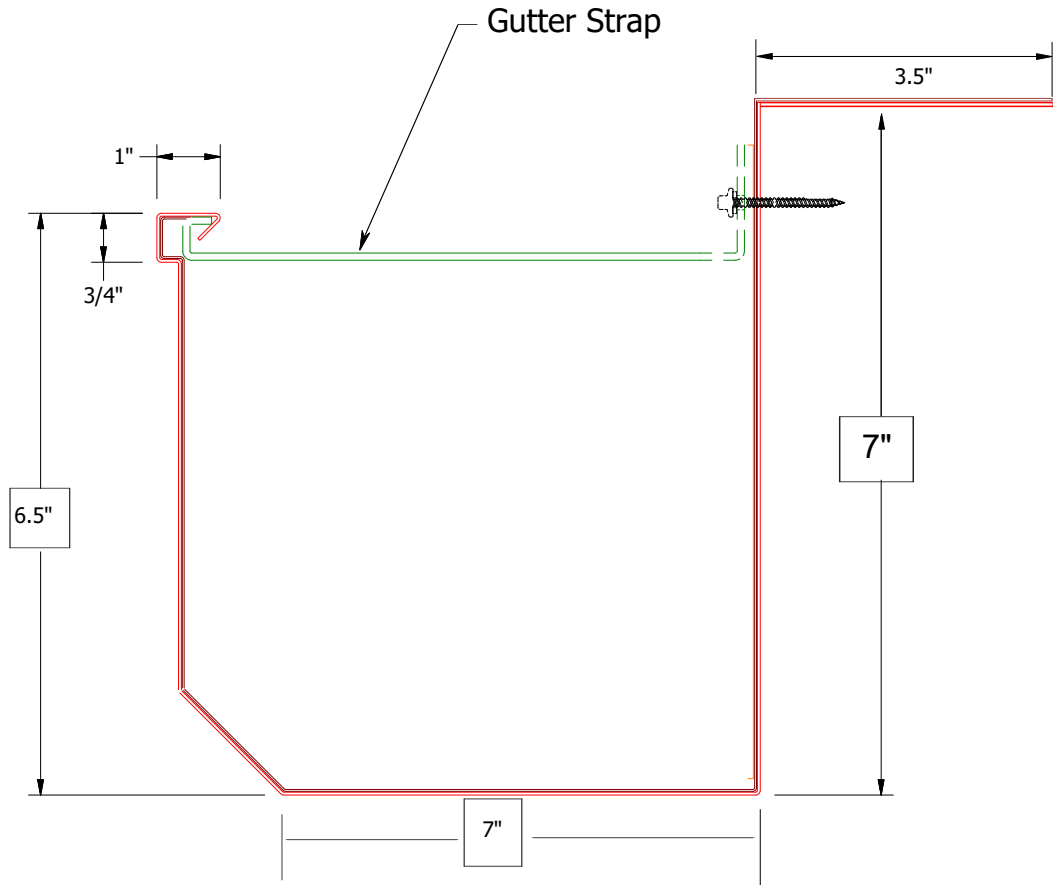


Elbows Available in A and B Styles



7" Box Gutter with Flange

Notes: *Gutter can be made with or without the flange



PRINT APPROVED BY:

(SIGNATURE)

(DATE)

A SIGNED PRINT APPROVAL SIGNIFIES A CUSTOMER HAS VERIFIED ALL DIMENSIONS, SIZES, QUANTITIES, AND MATERIAL TYPES.

FABRICATION WILL PROCEED ONLY AFTER RECEIPT OF SIGNED PRINT APPROVAL

MATERIAL:

24 GA GALV. STEEL
26 GA GALV. STEEL

.032" ALUMINUM
.040" ALUMINUM

COLOR: _____

QUANTITIES:

PCS	LENGTH	PCS	LENGTH
_____	_____	_____	_____
_____	_____	_____	_____
_____	_____	_____	_____
_____	_____	_____	_____

End Caps: Right _____ Left _____

Corners: _____

Rivets: _____ Straps: _____

Expansion Joints _____

Outlets: _____

NOTES:

Can ship up to 30' length

Longer lengths can be done on job site



JACKSON ARCHITECTURAL METAL FABRICATORS, LLC
1421 S. Cooper Street
Jackson, MI 49201
(517) 782-8884 (517) 782-8906-fax -info@jacksonamf.com

PROJECT INFORMATION:

_____ (PROJECT NAME)

_____ (ARCHITECT)

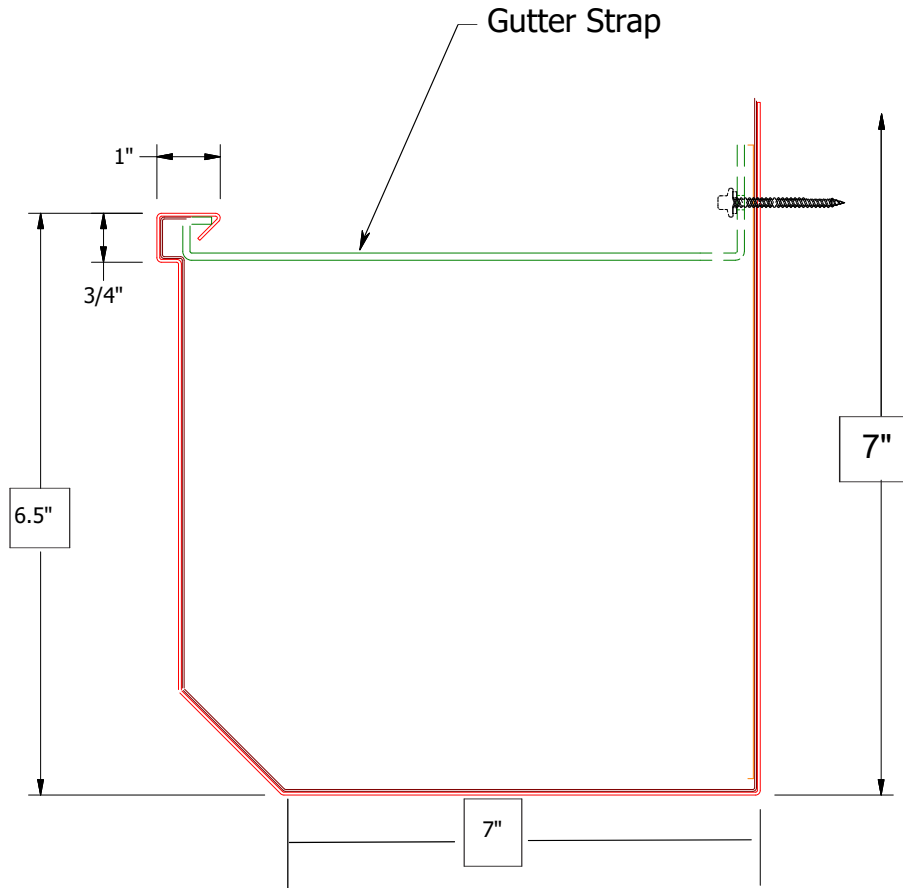
_____ (CUSTOMER)

_____ (REPRESENTATIVE/ DISTRIBUTOR)

DATE: _____

SHEET _____ OF _____

7" Box Gutter - without flange



PRINT APPROVED BY:

(SIGNATURE)

(DATE)

A SIGNED PRINT APPROVAL SIGNIFIES A CUSTOMER HAS VERIFIED ALL DIMENSIONS, SIZES, QUANTITIES, AND MATERIAL TYPES.

FABRICATION WILL PROCEED ONLY AFTER RECEIPT OF SIGNED PRINT APPROVAL

MATERIAL:

24 GA GALV. STEEL
26 GA GALV. STEEL

.032" ALUMINUM
.040" ALUMINUM

COLOR: _____

QUANTITIES:

PCS	LENGTH	PCS	LENGTH
_____	_____	_____	_____
_____	_____	_____	_____
_____	_____	_____	_____
_____	_____	_____	_____

End Caps: Right _____ Left _____

Corners: _____

Rivets: _____ Straps _____

Expansion Joints _____

Outlets _____

NOTES:

Can ship up to 30' lengths

Longer Lengths can be done on job site



JACKSON ARCHITECTURAL METAL FABRICATORS, LLC
1421 S. Cooper Street
Jackson, MI 49201
(517) 782-8884 (517) 782-8906-fax -info@jacksonamf.com

PROJECT INFORMATION:

_____ (PROJECT NAME)

_____ (ARCHITECT)

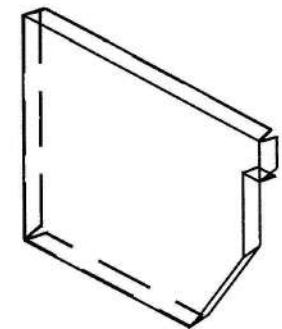
_____ (CUSTOMER)

_____ (REPRESENTATIVE/ DISTRIBUTOR)

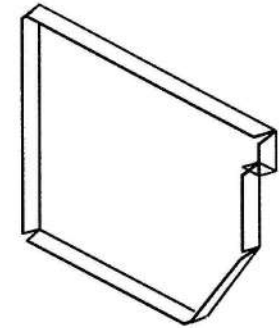
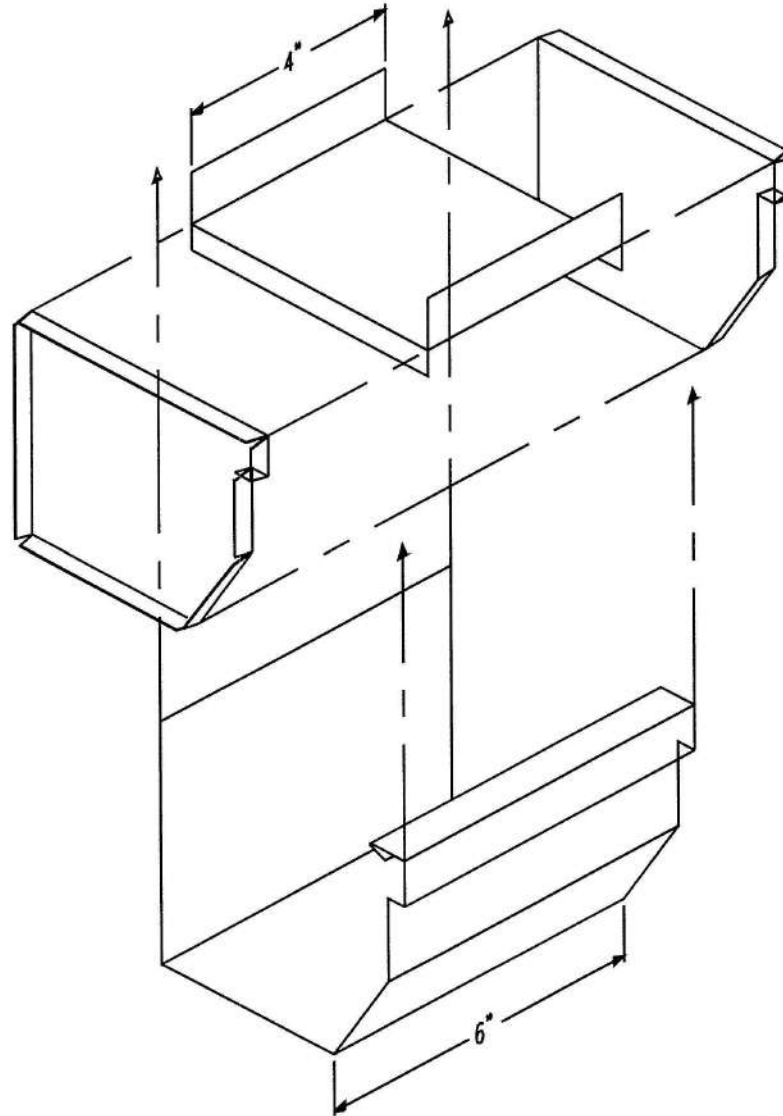
DATE: _____

SHEET _____ OF _____

Expansion Joint Assembly



Left Gutter End Cap



Right Gutter End Cap

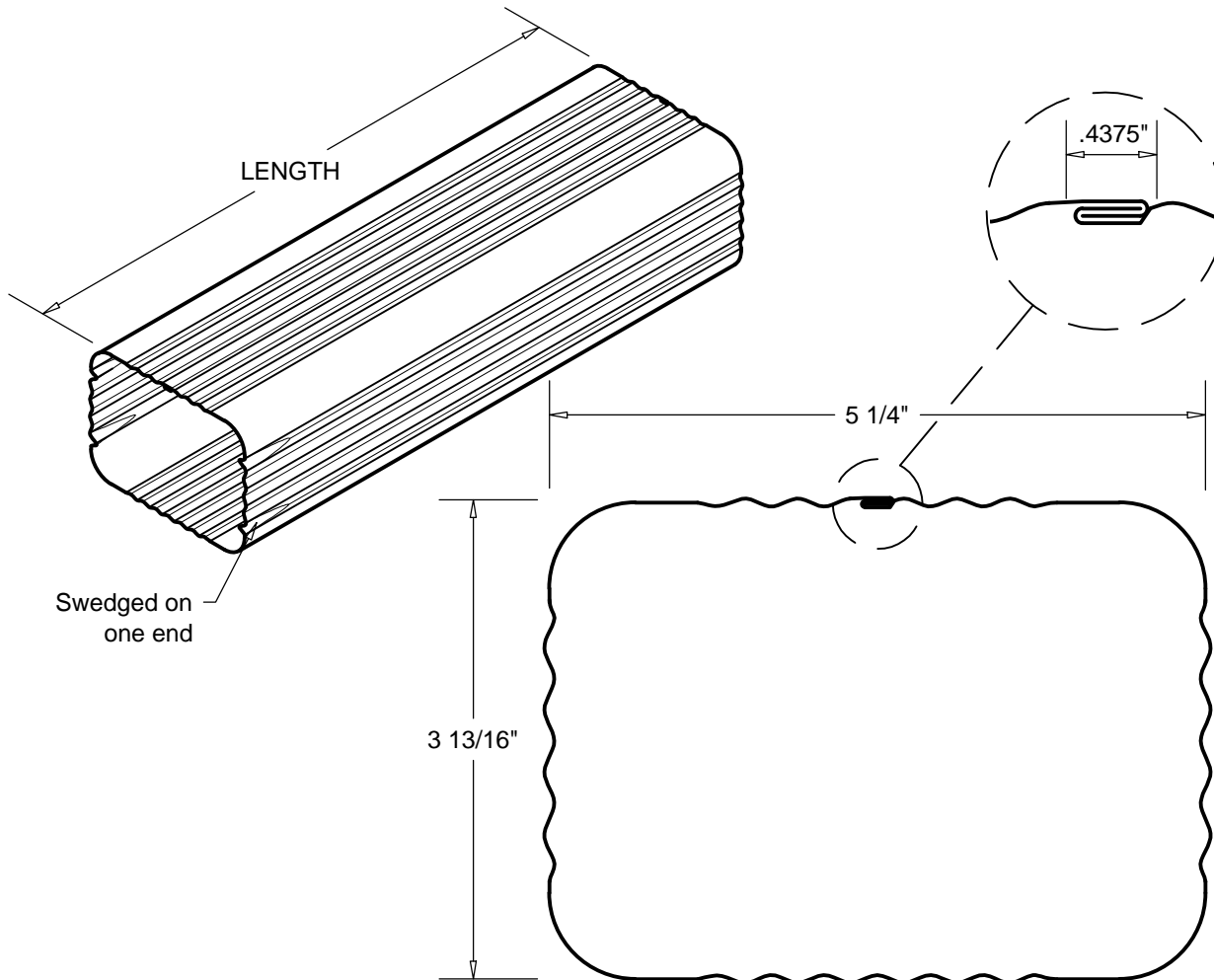
JACKSON ARCHITECTURAL METAL FABRICATORS, LLC

1421 S. Cooper Street

Jackson, MI 49201

(517) 782-8884 -phone (517) 782-8906 -fax info@jacksonamf.com

4" X 5" CORRUGATED DOWNSPOUT



PRINT APPROVED BY:

(SIGNATURE)

(DATE)

A SIGNED PRINT APPROVAL SIGNIFIES A CUSTOMER HAS VERIFIED ALL DIMENSIONS, SIZES, QUANTITIES, AND MATERIAL TYPES.

FABRICATION WILL PROCEED ONLY AFTER RECEIPT OF SIGNED PRINT APPROVAL

MATERIAL:

24 GA GALV. STEEL
26 GA GALV. STEEL

.032" ALUMINUM

COLOR: _____

QUANTITIES:

<u>PCS</u>	<u>LENGTH</u>	<u>PCS</u>	<u>LENGTH</u>
_____	_____	_____	_____
_____	_____	_____	_____
_____	_____	_____	_____
_____	_____	_____	_____

Elbows: A: _____ B: _____

Downspout Straps: _____

NOTES:

Up to 30 foot lengths available

PROJECT INFORMATION:

(PROJECT NAME)

(ARCHITECT)

(CUSTOMER)

(REPRESENTATIVE/DISTRIBUTOR)



JACKSON ARCHITECTURAL METAL FABRICATORS, LLC
1421 S. Cooper Street
Jackson, MI 49201
(517) 782-8884 (517) 782-8906-fax -info@jacksonamf.com

DATE: _____

SHEET _____ OF _____