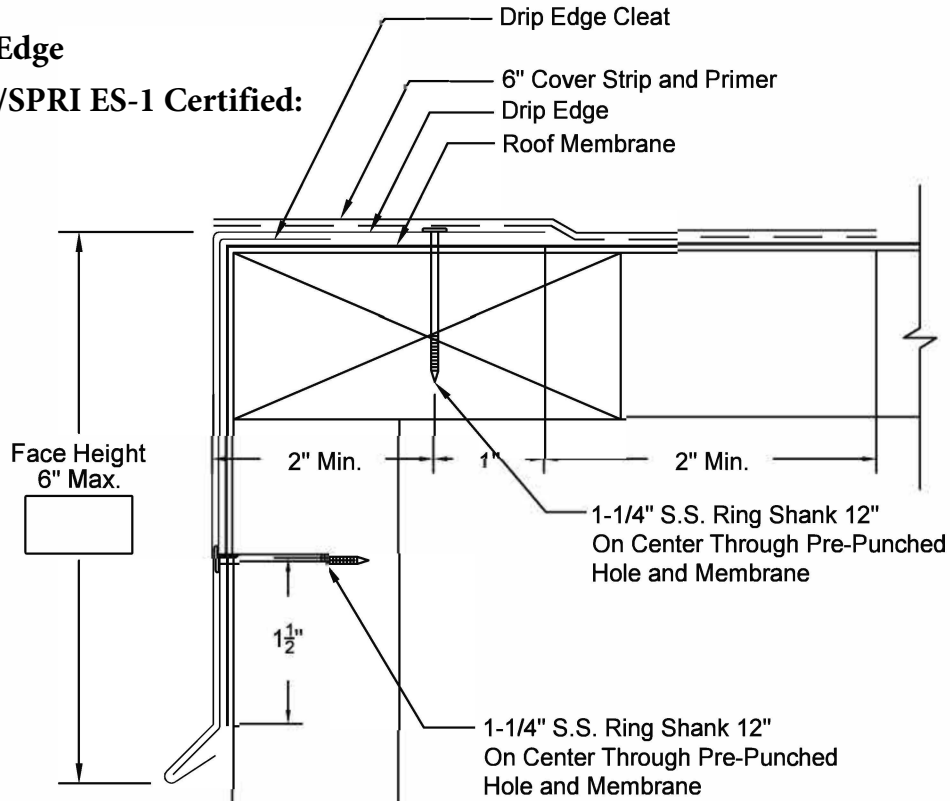


**Drip Edge**

**ANSI/SPRI ES-1 Certified:**



- Continuous Cleat and fasteners Provided
- Concealed Splice Plates Provided
- Continuous Cleat: 22 GA

**PRINT APPROVAL:**

Architect and/or Contractor shall verify all dimensions, sizes and quantities. All Products to be installed in strict accordance with Jackson Architectural Metals printed instructions.

**Approved by:**

**Date:**

**Project: Architect:**

**Roofing Contractor:**

**Representative:**

**QUANTITIES:**

**Optional Welded (Surcharge Applies)**

Lineal Feet (10'-0" Lengths\*):

Outside Miters\*\*:

Inside Miters\*\*:

Right End Caps\*\*:

Left End Caps\*\*:

Splice Plate Tape Sealant:

\*Optional lengths available up to 20'-0"

\*\* Standard riveted

**MATERIAL:**

24 GA .040" AL .050" AL

**OTHER**

**Finish:**

**Color:**

Carlisle Firestone Other: